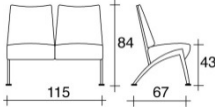
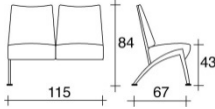
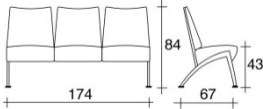
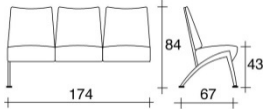
 <p>461</p>	
 <p>462</p>	 <p>462/c</p>
 <p>463</p>	 <p>463/C</p>